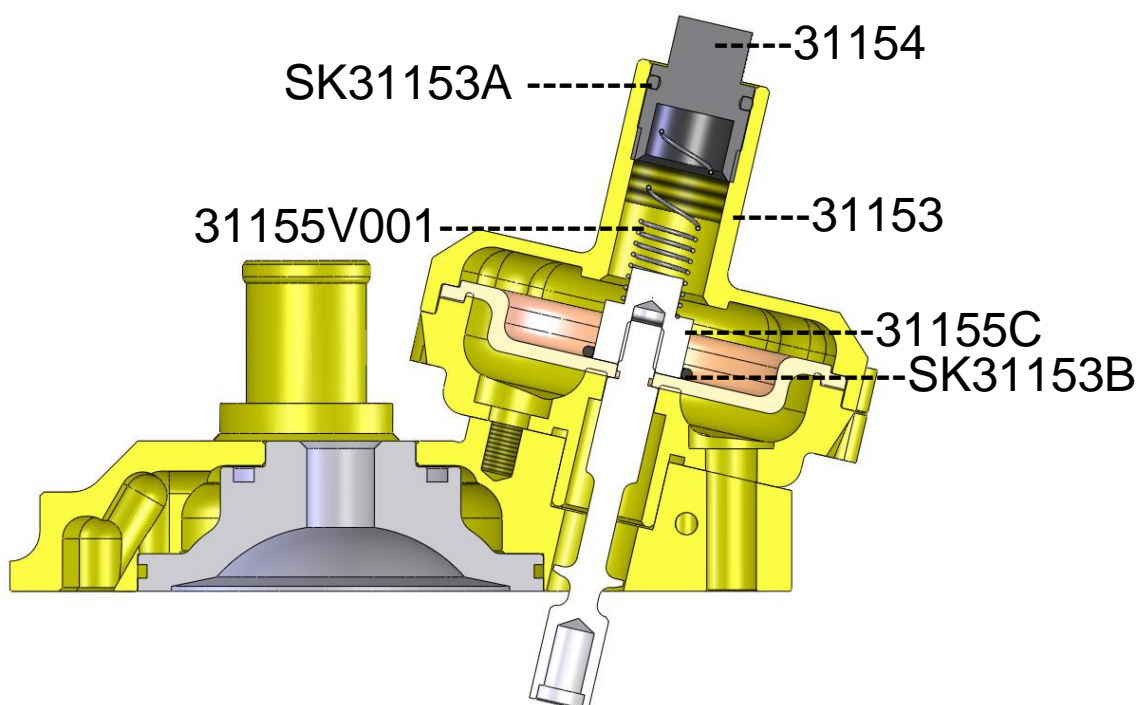




DA31153

Power valve adjuster KTM 65SX '09-18, TC65 '17-18
with special 2 stage spring

Art. Number	Description	Amount
31153	Power valve cover	1
31154	Adjuster	1
31155C	Spring holder M5 (replaces the OEM nut M5)	1
31155V001	Progressive spring	1
SK31153A	O-seal $\varnothing 10.82 \times 1.78$	1
SK31153B	O-seal $\varnothing 10 \times 1.5$	1
Spare parts:		
31155KIT001	Progressive spring + spring holder (part number 31155V001+31155C)	1



Assembly manual Power valve adjuster :

1. Remove the original power valve cover.
2. Remove the original Nut M5 and screw the Aluminum spring holder gently tight.
3. Make sure everything is clean.
4. Assemble the VHM power valve adjuster as shown in the picture above.

Warranty disclaimer:

Due to the nature of performance applications, all VHM parts are sold without any express warranty or any implied warranty of merchantability or fitness for a particular purpose. VHM declines all responsibility in the event of fault or defect affecting the goods. Under no circumstance can VHM be held responsible for any damage or injury, caused directly or indirectly by fault or defect of the sold part and/or to an incorrect wrong use of any part supplied. VHM shall not, under any circumstances, be liable for any special, incidental or consequential damages, including, but not limited to damage, loss or profits or revenue, cost of purchased or replacement goods, or claims of customers of the purchaser, which may arise and/or result from sale, installation or use of this part. Installation of this part might adversely affect the vehicle or engine manufacturer's warranty coverage.

Z:\Verkoop\Inpaklijsten\Various products\DA31153 Powervalue adjuster KTM SX65 09- new.doc